

**Features**



Brackets included, except for models 10

Hygiene radiators are designed for quick easy cleaning in every corner as there are no internal convectors (spaces where dust normally accumulates), or grille or side radiators which prevent cleaning.

### Technical characteristics

- Working pressure 10 bar
- Test pressure 13 bar
- Maximum operating temperature 110° C
- RAL Certification in models 10

### Standard equipment

- 4 x 1/2" connection, internal thread
- Brackets and supports
  - 4 welded supports up to and including a length of 1600mm; over this, 6 supports
  - a choice of other brackets is available on the relative page.
  - no brackets are provided with model 10; models 20-30, 2 or 3 GB brackets are provided, depending on the number of welded supports

### Connection

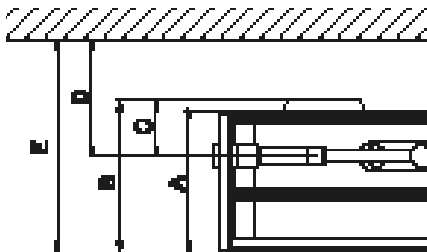
- DL Radiators Hygiene compact panel radiators can be connected to a two-pipe installation with high/high same side, high/low opposite side or low/low opposite side connections. The two-pipe connection requires a valve and lockshield (not provided).
- Models 20-30 can also be connected to a one-pipe installation with a single connection, using the De'Longhi flow deviator. Model 10 can be connected to a one-pipe installation, but only with valve with external probe.
- A one-pipe valve is not provided.

### Safety

- Compact radiators cannot be inverted around any of the three axes.

### Optional

Brackets and optional accessories are available on dedicated pages.

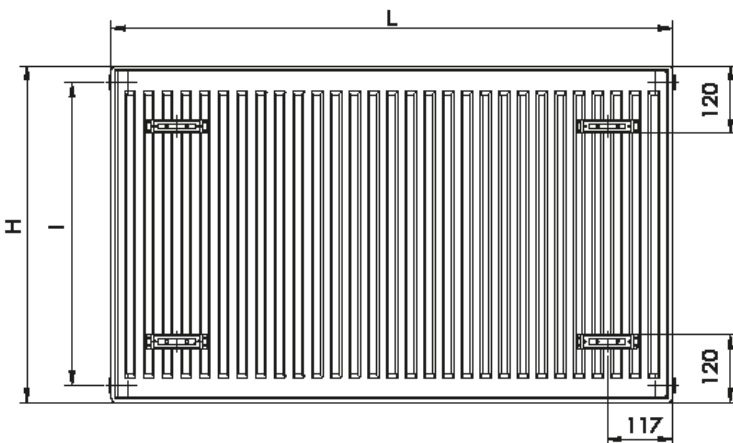


		Dimensions		
		10	20	30
panel depth - excluding back supports	A	63	66	157
total depth - from the back of the support to the front panel**	B	63	75	166
distance from the back support to the connection	C	-	42	59
distance from wall to the centre of the connection (mounting the radiators on the GB brackets provided)*	D	34	59 / 67	76 / 84
total distance from the wall to the front panel (panel mounted on the GB brackets provided as standard)*	E	69	94 / 102	175 / 183

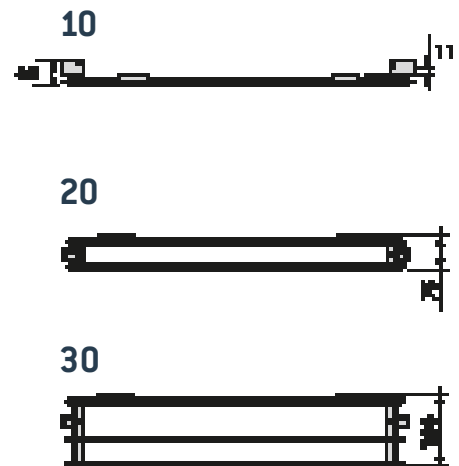
\* The total distance varies according to whether the GB bracket is mounted in position A or position B (choice of depth), model 10 mounted on D30 brackets

\*\* Calculating the total size of the panel (from the wall to the front panel) with the chosen wall brackets: the useful length of the chosen bracket must be added to this measurement (see brackets page).

### Front view



### Upper view



Height (H) 300 - Tappings centre (I) 240

		10			20			30		
Width (mm)		63			66			157		
Exponent (n)		1,34			1,276			1,285		
Lenght (mm)		Output 75/65-20 W	Output 70/55-20 W	Output 55/45-20 W	Output 75/65-20 W	Output 70/55-20 W	Output 55/45-20 W	Output 75/65-20 W	Output 70/55-20 W	Output 55/45-20 W
400	Power Code	136	110	69	231	188	120	335	272	174
			0181103012			0181203012			0181303012	
500	Power Code	170	137	86	289	234	150	419	340	217
			0181103015			0181203015			0181303015	
600	Power Code	204	164	103	346	281	180	502	407	260
			0181103018			0181203018			0181303018	
700	Power Code	238	192	120	404	328	210	586	475	304
			0181103021			0181203021			0181303021	
800	Power Code	272	219	137	462	375	241	670	543	347
			0181103024			0181203024			0181303024	
900	Power Code	306	246	155	519	422	271	753	611	391
			0181103027			0181203027			0181303027	
1.000	Power Code	340	274	172	577	469	301	837	679	434
			0181103030			0181203030			0181303030	
1.100	Power Code	374	301	189	635	516	331	921	747	477
			0181103033			0181203033			0181303033	
1.200	Power Code	408	329	206	692	563	361	1004	815	521
			0181103036			0181203036			0181303036	
1.400	Power Code	476	383	240	808	657	421	1172	951	608
			0181103042			0181203042			0181303042	
1.600	Power Code	544	438	275	923	750	481	1339	1087	694
			0181103048			0181203048			0181303048	
1.800	Power Code	612	493	309	1039	844	541	1507	1222	781
			0181103054			0181203054			0181303054	
2.000	Power Code	680	548	343	1154	938	601	1674	1358	868
			0181103060			0181203060			0181303060	
2.300	Power Code	782	630	395	1327	1079	692	1925	1562	998
			0181103069			0181203069			0181303069	
2.600	Power Code	884	712	447	1500	1219	782	2176	1766	1128
			0181103078			0181203078			0181303078	
3.000	Power Code	1020	822	515	1731	1407	902	2511	2037	1302
			0181103090			0181203090			0181303090	

Height (H) 400 - Tappings centre (I) 340

		10			20			30		
Width (mm)		63			66			157		
Exponent (n)		1,319			1,28			1,296		
Lenght (mm)		Output 75/65-20 W	Output 70/55-20 W	Output 55/45-20 W	Output 75/65-20 W	Output 70/55-20 W	Output 55/45-20 W	Output 75/65-20 W	Output 70/55-20 W	Output 55/45-20 W
400	Power Code	177	142	90	284	230	147	417	338	215
			0181104012			0181204012			0181304012	
500	Power Code	221	178	112	355	288	184	522	422	269
			0181104015			0181204015			0181304015	
600	Power Code	265	214	135	426	345	221	626	506	323
			0181104018			0181204018			0181304018	
700	Power Code	310	249	157	497	403	258	730	591	377
			0181104021			0181204021			0181304021	
800	Power Code	354	285	180	568	460	295	834	675	430
			0181104024			0181204024			0181304024	
900	Power Code	398	321	202	639	518	332	939	760	484
			0181104027			0181204027			0181304027	
1.000	Power Code	442	356	225	710	575	368	1043	844	538
			0181104030			0181204030			0181304030	
1.100	Power Code	487	392	247	781	633	405	1147	928	592
			0181104033			0181204033			0181304033	
1.200	Power Code	531	427	270	852	690	442	1252	1013	646
			0181104036			0181204036			0181304036	
1.400	Power Code	619	499	315	994	805	516	1460	1182	753
			0181104042			0181204042			0181304042	
1.600	Power Code	708	570	360	1136	921	589	1669	1350	861
			0181104048			0181204048			0181304048	
1.800	Power Code	796	641	405	1278	1036	663	1877	1519	968
			0181104054			0181204054			0181304054	
2.000	Power Code	885	712	450	1420	1151	737	2086	1688	1076
			0181104060			0181204060			0181304060	
2.300	Power Code	1017	819	517	1633	1323	847	2399	1941	1237
			0181104069			0181204069			0181304069	
2.600	Power Code	1150	926	585	1846	1496	958	2712	2195	1399
			0181104078			0181204078			0181304078	
3.000	Power Code	1327	1068	675	2130	1726	1105	3129	2532	1614
			0181104090			0181204090			0181304090	

Height (H) 500 - Tappings centre (I) 440

		10			20			30		
Width (mm)		63			66			157		
Exponent (n)		1,299			1,284			1,307		
Lenght (mm)		Output 75/65-20 W	Output 70/55-20 W	Output 55/45-20 W	Output 75/65-20 W	Output 70/55-20 W	Output 55/45-20 W	Output 75/65-20 W	Output 70/55-20 W	Output 55/45-20 W
	400	Power	216	175	111	337	273	175	496	401
	Code		0181105012			0181205012			0181305012	
500	Power	270	219	139	422	342	218	621	501	319
	Code		0181105015			0181205015			0181305015	
600	Power	324	262	167	506	410	262	745	602	382
	Code		0181105018			0181205018			0181305018	
700	Power	379	306	195	590	478	306	869	702	446
	Code		0181105021			0181205021			0181305021	
800	Power	433	350	222	674	547	350	993	802	510
	Code		0181105024			0181205024			0181305024	
900	Power	487	394	250	759	615	393	1117	902	573
	Code		0181105027			0181205027			0181305027	
1.000	Power	541	437	278	843	683	437	1241	1003	637
	Code		0181105030			0181205030			0181305030	
1.100	Power	595	481	306	927	752	481	1365	1103	701
	Code		0181105033			0181205033			0181305033	
1.200	Power	649	525	334	1012	820	524	1489	1203	764
	Code		0181105036			0181205036			0181305036	
1.400	Power	757	612	389	1180	957	612	1737	1404	892
	Code		0181105042			0181205042			0181305042	
1.600	Power	865	700	445	1349	1093	699	1986	1604	1019
	Code		0181105048			0181205048			0181305048	
1.800	Power	973	787	501	1517	1230	786	2234	1805	1147
	Code		0181105054			0181205054			0181305054	
2.000	Power	1082	874	556	1686	1367	874	2482	2005	1274
	Code		0181105060			0181205060			0181305060	
2.300	Power	1244	1006	640	1939	1572	1005	2854	2306	1465
	Code		0181105069			0181205069			0181305069	
2.600	Power	1406	1137	723	2192	1777	1136	3227	2607	1656
	Code		0181105078			0181205078			0181305078	
3.000	Power	1622	1312	834	2529	2050	1311	3723	3008	1911
	Code		0181105090			0181205090			0181305090	

Height (H) 600 - Tappings centre (I) 540

		10			20			30		
Width (mm)		63			66			157		
Exponent (n)		1,279			1,288			1,318		
Lenght (mm)		Output 75/65-20 W	Output 70/55-20 W	Output 55/45-20 W	Output 75/65-20 W	Output 70/55-20 W	Output 55/45-20 W	Output 75/65-20 W	Output 70/55-20 W	Output 55/45-20 W
	400	Power	254	206	132	392	317	203	574	463
	Code		0181106012			0181206012			0181306012	
500	Power	318	258	165	490	397	254	718	579	366
	Code		0181106015			0181206015			0181306015	
600	Power	381	310	198	587	476	304	862	695	439
	Code		0181106018			0181206018			0181306018	
700	Power	445	361	231	685	555	355	1005	810	513
	Code		0181106021			0181206021			0181306021	
800	Power	509	413	265	783	634	406	1149	926	586
	Code		0181106024			0181206024			0181306024	
900	Power	572	465	298	881	714	456	1292	1042	659
	Code		0181106027			0181206027			0181306027	
1.000	Power	636	516	331	979	793	507	1436	1158	732
	Code		0181106030			0181206030			0181306030	
1.100	Power	699	568	364	1077	872	558	1580	1273	806
	Code		0181106033			0181206033			0181306033	
1.200	Power	763	619	397	1175	952	608	1723	1389	879
	Code		0181106036			0181206036			0181306036	
1.400	Power	890	723	463	1371	1110	710	2010	1621	1025
	Code		0181106042			0181206042			0181306042	
1.600	Power	1017	826	529	1566	1269	811	2298	1852	1172
	Code		0181106048			0181206048			0181306048	
1.800	Power	1144	929	595	1762	1428	913	2585	2084	1318
	Code		0181106054			0181206054			0181306054	
2.000	Power	1272	1032	661	1958	1586	1014	2872	2315	1465
	Code		0181106060			0181206060			0181306060	
2.300	Power	1462	1187	760	2252	1824	1166	3303	2663	1684
	Code		0181106069			0181206069			0181306069	
2.600	Power	1653	1342	860	2545	2062	1318	3734	3010	1904
	Code		0181106078			0181206078			0181306078	
3.000	Power	1907	1549	992	2937	2379	1521	4308	3473	2197
	Code		0181106090			0181206090			0181306090	

Height (H) 700 - Tappings centre (I) 640

		10			20			30		
Width (mm)		63			66			157		
Exponent (n)		1,285			1,29			1,318		
Lenght (mm)		Output 75/65-20 W	Output 70/55-20 W	Output 55/45-20 W	Output 75/65-20 W	Output 70/55-20 W	Output 55/45-20 W	Output 75/65-20 W	Output 70/55-20 W	Output 55/45-20 W
400	Power	291	237	151	448	363	232	652	527	332
	Code	0181107012			0181207012			0181307012		
500	Power	364	296	189	560	454	290	815	659	416
	Code	0181107015			0181207015			0181307015		
600	Power	437	355	227	671	545	347	977	790	499
	Code	0181107018			0181207018			0181307018		
700	Power	509	414	265	783	636	405	1140	922	582
	Code	0181107021			0181207021			0181307021		
800	Power	582	473	302	895	726	463	1303	1054	665
	Code	0181107024			0181207024			0181307024		
900	Power	655	532	340	1007	817	521	1466	1186	748
	Code	0181107027			0181207027			0181307027		
1.000	Power	728	591	378	1119	908	579	1629	1317	831
	Code	0181107030			0181207030			0181307030		
1.100	Power	800	650	416	1231	999	637	1792	1449	914
	Code	0181107033			0181207033			0181307033		
1.200	Power	873	710	454	1343	1090	695	1955	1581	997
	Code	0181107036			0181207036			0181307036		
1.400	Power	1019	828	529	1567	1271	811	2281	1844	1163
	Code	0181107042			0181207042			0181307042		
1.600	Power	1164	946	605	1790	1453	926	2606	2108	1330
	Code	0181107048			0181207048			0181307048		
1.800	Power	1310	1064	680	2014	1634	1042	2932	2371	1496
	Code	0181107054			0181207054			0181307054		
2.000	Power	1455	1183	756	2238	1816	1158	3258	2634	1662
	Code	0181107060			0181207060			0181307060		
2.300	Power	1674	1360	869	2574	2088	1332	3747	3030	1911
	Code	0181107069			0181207069			0181307069		
2.600	Power	1892	1537	983	2909	2361	1505	4235	3425	2161
	Code	0181107078			0181207078			0181307078		
3.000	Power	2183	1774	1134	3357	2724	1737	4887	3952	2493
	Code	0181107090			0181207090			0181307090		

Height (H) 900 - Tappings centre (I) 840

		10			20			30		
Width (mm)		63			66			157		
Exponent (n)		1,296			1,293			1,316		
Lenght (mm)		Output 75/65-20 W	Output 70/55-20 W	Output 55/45-20 W	Output 75/65-20 W	Output 70/55-20 W	Output 55/45-20 W	Output 75/65-20 W	Output 70/55-20 W	Output 55/45-20 W
400	Power	361	293	186	567	459	293	806	651	411
	Code	0181109012			0181209012			0181309012		
500	Power	451	366	233	708	574	366	1007	813	514
	Code	0181109015			0181209015			0181309015		
600	Power	541	439	280	850	689	439	1208	976	617
	Code	0181109018			0181209018			0181309018		
700	Power	632	512	326	992	804	512	1410	1139	720
	Code	0181109021			0181209021			0181309021		
800	Power	722	586	373	1133	919	586	1611	1301	823
	Code	0181109024			0181209024			0181309024		
900	Power	812	659	420	1275	1034	659	1812	1464	926
	Code	0181109027			0181209027			0181309027		
1.000	Power	902	732	466	1417	1149	732	2014	1627	1029
	Code	0181109030			0181209030			0181309030		
1.100	Power	993	805	513	1558	1263	805	2215	1789	1131
	Code	0181109033			0181209033			0181309033		
1.200	Power	1083	879	559	1700	1378	878	2417	1952	1234
	Code	0181109036			0181209036			0181309036		
1.400	Power	1263	1025	653	1983	1608	1025	2819	2277	1440
	Code	0181109042			0181209042			0181309042		
1.600	Power	1444	1171	746	2267	1838	1171	3222	2603	1646
	Code	0181109048			0181209048			0181309048		
1.800	Power	1624	1318	839	2550	2067	1318	3625	2928	1851
	Code	0181109054			0181209054			0181309054		
2.000	Power	1805	1464	932	2833	2297	1464	4028	3253	2057
	Code	0181109060			0181209060			0181309060		
2.300	Power	2076	1684	1072	3258	2642	1684	4632	3741	2366
	Code	0181109069			0181209069			0181309069		
2.600	Power	2346	1904	1212	3683	2986	1903	5236	4229	2674
	Code	0181109078			0181209078			0181309078		
3.000	Power	2707	2196	1399	4250	3446	2196	6041	4880	3086
	Code	0181109090			0181209090			0181309090		