

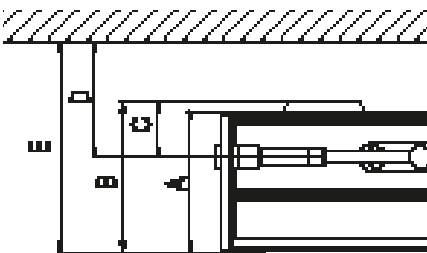
Linear Hygiene PHD 2.0 Panel with valve



Blind cap and air vent included

Preset valve included

All Linear Hygiene PHD 2.0 are fitted as standard with the kit for energy saving low temperature operation with preferential heat diffusion, and preset thermostatic valve. Hygiene radiators are designed for quick easy cleaning in every corner as there are no internal convectors (spaces where dust normally accumulates), or grille or side radiators which prevent cleaning.



Technical characteristics

- Working pressure 10 bar
- Test pressure 13 bar
- Maximum operating temperature 110 °C

Included in the packing

- Bottom connector 50 mm tappings centre, 3/4" outside thread
- 2 x 1/2" connections, internal thread on opposite side of the thermostatic insert with:
 - 1 x 1/2" blind cap provided, mounted
 - 1 x 1/2" vent plug provided, mounted
- Supports
 - All models have welded back supports
- Supplied with preset thermostatic valve on the right; Linear panels can be supplied with the insert on the left side (see order code modification) – PHD Radiators are not symmetrical.
- The thermostatic head must be ordered separately

Connection

- Linear Hygiene Universal panels can be connected to either a one-pipe or two-pipe installation with a distributor with 50 mm tappings centre. The water outlet must always be connected to the inner connection of the connector with 50 mm tappings centre.
- For connection to both two-pipe and one-pipe installations, a distributor is required and must be specifically ordered (see Linear Thermostatic radiators Accessories page for the range of Distributors available).

Safety

- Compact radiators cannot be inverted around any of the three axes.

Optional

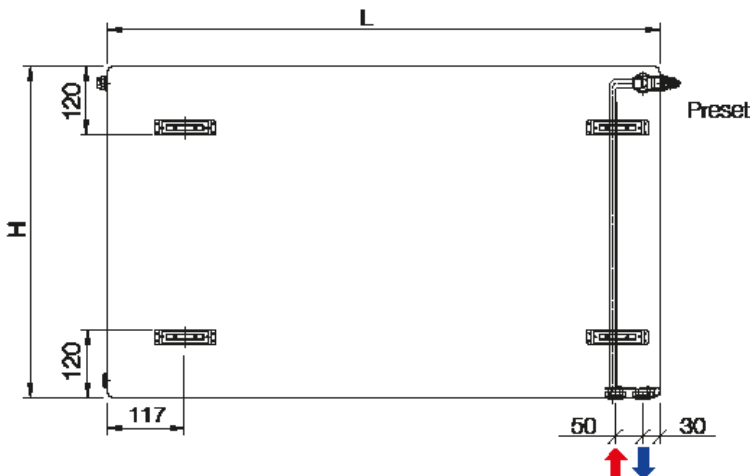
Brackets and optional accessories are available on dedicated pages.

		Dimensions		
		10	20	30
panel depth - excluding back supports	A	64	67	158
total depth - from the back of the support to the front panel**	B	64	76	167
distance from the back support to the connection	C	-	42	59
distance from wall to the centre of the connection (mounting the radiators on the GB brackets for model 20 und 30, D30 for model 10)*	D	34	59/67	76/84
total distance from the wall to the front panel (mounting the radiators on the GB brackets for model 20 und 30, D30 for model 10)*	E	69	94/102	175/183

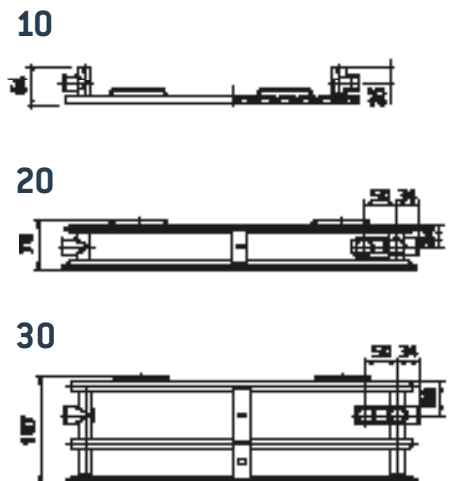
* The total distance varies according to whether the GB bracket is mounted in position A or position B (choice of depth), model 10 mounted on D30 brackets

** Calculating the total size of the panel (from the wall to the front panel) with the chosen wall brackets: the useful length of the chosen bracket must be added to this measurement (see brackets page).

Front view



Upper view



Height (H) 300

		10			20			30		
Width (mm)		64			67			158		
Exponent (n)		1,301			1,327			1,279		
Lenght (mm)		Output 75/65-20 W	Output 70/55-20 W	Output 55/45-20 W	Output 75/65-20 W	Output 70/55-20 W	Output 55/45-20 W	Output 75/65-20 W	Output 70/55-20 W	Output 55/45-20 W
400	Power	112	90	58	198	160	101	312	253	162
	Code	0182103212			0H82263212			0H82303212		
500	Power	140	113	72	248	200	126	391	316	203
	Code	0182103215			0H82263215			0H82303215		
600	Power	167	136	86	298	240	151	469	379	244
	Code	0182103218			0H82263218			0H82303218		
700	Power	195	158	101	347	280	176	547	443	284
	Code	0182103221			0H82263221			0H82303221		
800	Power	223	181	115	397	320	202	625	506	325
	Code	0182103224			0H82263224			0H82303224		
900	Power	251	203	130	446	360	227	703	569	365
	Code	0182103227			0H82263227			0H82303227		
1.000	Power	279	226	144	496	400	252	781	632	406
	Code	0182103230			0H82263230			0H82303230		
1.100	Power	307	249	158	546	440	277	859	696	447
	Code	0182103233			0H82263233			0H82303233		
1.200	Power	335	271	173	595	480	302	937	759	487
	Code	0182103236			0H82263236			0H82303236		
1.400	Power	391	316	202	694	560	353	1093	885	568
	Code	0182103242			0H82263242			0H82303242		
1.600	Power	446	362	230	794	640	403	1250	1012	650
	Code	0182103248			0H82263248			0H82303248		
1.800	Power	502	407	259	893	720	454	1406	1138	731
	Code	0182103254			0H82263254			0H82303254		
2.000	Power	558	452	288	992	800	504	1562	1265	812
	Code	0182103260			0H82263260			0H82303260		
2.300	Power	642	520	331	1141	919	580	1796	1455	934
	Code	0182103269			0H82263269			0H82303269		
2.600	Power	725	588	374	1290	1039	655	2031	1644	1056
	Code	0182103278			0H82263278			0H82303278		
3.000	Power	837	678	432	1488	1199	756	2343	1897	1218
	Code	0182103290			0H82263290			0H82303290		

For the valve on the left side, you have to turn the third-last number from 2 to 4.

Height (H) 400

		10			20			30		
Width (mm)		64			67			158		
Exponent (n)		1,315			1,297			1,28		
Lenght (mm)		Output 75/65-20 W	Output 70/55-20 W	Output 55/45-20 W	Output 75/65-20 W	Output 70/55-20 W	Output 55/45-20 W	Output 75/65-20 W	Output 70/55-20 W	Output 55/45-20 W
400	Power	138	111	70	254	206	131	390	317	203
	Code	0182104212			0H82264212			0H82304212		
500	Power	172	139	88	318	258	164	488	396	254
	Code	0182104215			0H82264215			0H82304215		
600	Power	206	167	106	382	309	197	585	475	304
	Code	0182104218			0H82264218			0H82304218		
700	Power	241	194	123	445	361	230	683	554	355
	Code	0182104221			0H82264221			0H82304221		
800	Power	275	222	141	509	412	262	780	633	406
	Code	0182104224			0H82264224			0H82304224		
900	Power	310	250	158	572	464	295	878	713	456
	Code	0182104227			0H82264227			0H82304227		
1.000	Power	344	278	176	636	515	328	975	792	507
	Code	0182104230			0H82264230			0H82304230		
1.100	Power	378	305	194	700	567	361	1073	871	558
	Code	0182104233			0H82264233			0H82304233		
1.200	Power	413	333	211	763	618	394	1170	950	608
	Code	0182104236			0H82264236			0H82304236		
1.400	Power	482	389	246	890	721	459	1365	1109	710
	Code	0182104242			0H82264242			0H82304242		
1.600	Power	550	444	282	1018	824	525	1560	1267	811
	Code	0182104248			0H82264248			0H82304248		
1.800	Power	619	500	317	1145	927	590	1755	1425	913
	Code	0182104254			0H82264254			0H82304254		
2.000	Power	688	555	352	1272	1030	656	1950	1584	1014
	Code	0182104260			0H82264260			0H82304260		
2.300	Power	791	638	405	1463	1185	754	2243	1821	1166
	Code	0182104269			0H82264269			0H82304269		
2.600	Power	894	722	458	1654	1339	853	2535	2059	1318
	Code	0182104278			0H82264278			0H82304278		
3.000	Power	1032	833	528	1908	1545	984	2925	2376	1521
	Code	0182104290			0H82264290			0H82304290		

For the valve on the left side, you have to turn the third-last number from 2 to 4.

Height (H) 500

		10			20			30		
Width (mm)		64			67			158		
Exponent (n)		1,329			1,266			1,281		
Lenght (mm)		Output 75/65-20 W	Output 70/55-20 W	Output 55/45-20 W	Output 75/65-20 W	Output 70/55-20 W	Output 55/45-20 W	Output 75/65-20 W	Output 70/55-20 W	Output 55/45-20 W
	400	Power Code	165	133	84	307	250	161	466	379
			0182105212			0H82265212			0H82305212	
500	Power Code	207	166	105	384	313	201	583	474	303
			0182105215			0H82265215			0H82305215	
600	Power Code	248	200	125	461	375	241	699	569	364
			0182105218			0H82265218			0H82305218	
700	Power Code	289	233	146	538	438	281	816	664	425
			0182105221			0H82265221			0H82305221	
800	Power Code	330	266	167	614	500	322	932	758	485
			0182105224			0H82265224			0H82305224	
900	Power Code	372	299	188	691	563	362	1049	853	546
			0182105227			0H82265227			0H82305227	
1.000	Power Code	413	333	209	768	625	402	1165	948	607
			0182105230			0H82265230			0H82305230	
1.100	Power Code	454	366	230	845	688	442	1282	1043	667
			0182105233			0H82265233			0H82305233	
1.200	Power Code	496	399	251	922	750	482	1398	1138	728
			0182105236			0H82265236			0H82305236	
1.400	Power Code	578	466	293	1075	876	563	1631	1327	849
			0182105242			0H82265242			0H82305242	
1.600	Power Code	661	532	334	1229	1001	643	1864	1517	971
			0182105248			0H82265248			0H82305248	
1.800	Power Code	743	599	376	1382	1126	724	2097	1706	1092
			0182105254			0H82265254			0H82305254	
2.000	Power Code	826	665	418	1536	1251	804	2330	1896	1213
			0182105260			0H82265260			0H82305260	
2.300	Power Code	950	765	481	1766	1438	925	2680	2180	1396
			0182105269			0H82265269			0H82305269	
2.600	Power Code	1074	865	543	1997	1626	1045	3029	2465	1578
			0182105278			0H82265278			0H82305278	
3.000	Power Code	1239	998	627	2304	1876	1206	3495	2844	1820
			0182105290			0H82265290			0H82305290	

For the valve on the left side, you have to turn the third-last number from 2 to 4.

Height (H) 500

		10			20			30		
Width (mm)		64			67			158		
Exponent (n)		1,343			1,236			1,281		
Lenght (mm)		Output 75/65-20 W	Output 70/55-20 W	Output 55/45-20 W	Output 75/65-20 W	Output 70/55-20 W	Output 55/45-20 W	Output 75/65-20 W	Output 70/55-20 W	Output 55/45-20 W
	400	Power Code	195	157	98	358	292	190	541	439
			0182106212			0H82266212			0H82306212	
500	Power Code	244	196	123	447	366	238	677	549	352
			0182106215			0H82266215			0H82306215	
600	Power Code	293	236	148	536	439	285	812	659	422
			0182106218			0H82266218			0H82306218	
700	Power Code	342	275	172	626	512	333	947	769	492
			0182106221			0H82266221			0H82306221	
800	Power Code	390	314	197	715	585	380	1083	879	562
			0182106224			0H82266224			0H82306224	
900	Power Code	439	353	221	805	658	428	1218	989	633
			0182106227			0H82266227			0H82306227	
1.000	Power Code	488	393	246	894	731	475	1353	1098	703
			0182106230			0H82266230			0H82306230	
1.100	Power Code	537	432	271	983	804	523	1489	1208	773
			0182106233			0H82266233			0H82306233	
1.200	Power Code	586	471	295	1073	877	570	1624	1318	844
			0182106236			0H82266236			0H82306236	
1.400	Power Code	683	550	344	1252	1024	665	1895	1538	984
			0182106242			0H82266242			0H82306242	
1.600	Power Code	781	628	394	1430	1170	760	2165	1758	1125
			0182106248			0H82266248			0H82306248	
1.800	Power Code	878	707	443	1609	1316	855	2436	1977	1266
			0182106254			0H82266254			0H82306254	
2.000	Power Code	976	785	492	1788	1462	950	2707	2197	1406
			0182106260			0H82266260			0H82306260	
2.300	Power Code	1122	903	566	2056	1682	1093	3113	2526	1617
			0182106269			0H82266269			0H82306269	
2.600	Power Code	1269	1021	640	2324	1901	1235	3519	2856	1828
			0182106278			0H82266278			0H82306278	
3.000	Power Code	1464	1178	738	2682	2193	1425	4060	3295	2109
			0182106290			0H82266290			0H82306290	

For the valve on the left side, you have to turn the third-last number from 2 to 4.

Height (H) 700

		10			20			30		
Width (mm)		64			67			158		
Exponent (n)		1,307			1,250			1,286		
Lenght (mm)		Output 75/65-20 W	Output 70/55-20 W	Output 55/45-20 W	Output 75/65-20 W	Output 70/55-20 W	Output 55/45-20 W	Output 75/65-20 W	Output 70/55-20 W	Output 55/45-20 W
400	Power	229	185	117	405	331	214	616	499	319
	Code	0182107212			0H82267212			0H82307212		
500	Power	286	231	147	507	413	268	771	624	399
	Code	0182107215			0H82267215			0H82307215		
600	Power	343	277	176	608	496	321	925	749	479
	Code	0182107218			0H82267218			0H82307218		
700	Power	400	324	205	709	579	375	1079	874	558
	Code	0182107221			0H82267221			0H82307221		
800	Power	458	370	235	810	661	428	1233	999	638
	Code	0182107224			0H82267224			0H82307224		
900	Power	515	416	264	912	744	482	1387	1124	718
	Code	0182107227			0H82267227			0H82307227		
1.000	Power	572	462	293	1013	827	535	1541	1249	798
	Code	0182107230			0H82267230			0H82307230		
1.100	Power	629	509	323	1114	909	589	1695	1374	878
	Code	0182107233			0H82267233			0H82307233		
1.200	Power	686	555	352	1216	992	642	1849	1498	957
	Code	0182107236			0H82267236			0H82307236		
1.400	Power	801	647	411	1418	1157	749	2157	1748	1117
	Code	0182107242			0H82267242			0H82307242		
1.600	Power	915	740	469	1621	1323	856	2466	1998	1277
	Code	0182107248			0H82267248			0H82307248		
1.800	Power	1030	832	528	1823	1488	963	2774	2248	1436
	Code	0182107254			0H82267254			0H82307254		
2.000	Power	1144	925	587	2026	1653	1070	3082	2497	1596
	Code	0182107260			0H82267260			0H82307260		
2.300	Power	1316	1063	675	2330	1901	1231	3544	2872	1835
	Code	0182107269			0H82267269			0H82307269		
2.600	Power	1487	1202	762	2634	2149	1391	4007	3247	2074
	Code	0182107278			0H82267278			0H82307278		
3.000	Power	1716	1387	880	3039	2480	1605	4623	3746	2394
	Code	0182107290			0H82267290			0H82307290		

For the valve on the left side, you have to turn the third-last number from 2 to 4.

Height (H) 900

		10			20			30		
Width (mm)		64			67			158		
Exponent (n)		1,235			1,278			1,297		
Lenght (mm)		Output 75/65-20 W	Output 70/55-20 W	Output 55/45-20 W	Output 75/65-20 W	Output 70/55-20 W	Output 55/45-20 W	Output 75/65-20 W	Output 70/55-20 W	Output 55/45-20 W
400	Power	307	251	163	494	401	257	768	623	396
	Code	0182109212			0H82269212			0H82309212		
500	Power	384	314	204	617	501	321	960	778	495
	Code	0182109215			0H82269215			0H82309215		
600	Power	460	376	245	740	602	385	1152	934	594
	Code	0182109218			0H82269218			0H82309218		
700	Power	537	439	286	864	702	449	1344	1090	693
	Code	0182109221			0H82269221			0H82309221		
800	Power	614	502	326	987	802	514	1536	1245	793
	Code	0182109224			0H82269224			0H82309224		
900	Power	690	564	367	1111	902	578	1728	1401	892
	Code	0182109227			0H82269227			0H82309227		
1.000	Power	767	627	408	1234	1003	642	1920	1556	991
	Code	0182109230			0H82269230			0H82309230		
1.100	Power	844	690	449	1357	1103	706	2112	1712	1090
	Code	0182109233			0H82269233			0H82309233		
1.200	Power	920	753	490	1481	1203	770	2304	1868	1189
	Code	0182109236			0H82269236			0H82309236		
1.400	Power	1074	878	571	1728	1404	899	2688	2179	1387
	Code	0182109242			0H82269242			0H82309242		
1.600	Power	1227	1003	653	1974	1604	1027	3072	2490	1585
	Code	0182109248			0H82269248			0H82309248		
1.800	Power	1381	1129	734	2221	1805	1156	3455	2802	1783
	Code	0182109254			0H82269254			0H82309254		
2.000	Power	1534	1254	816	2468	2005	1284	3839	3113	1981
	Code	0182109260			0H82269260			0H82309260		
2.300	Power	1764	1442	938	2838	2306	1477	4415	3580	2279
	Code	0182109269			0H82269269			0H82309269		
2.600	Power	1994	1631	1061	3208	2607	1669	4991	4047	2576
	Code	0182109278			0H82269278			0H82309278		
3.000	Power	2301	1881	1224	3702	3008	1926	5759	4669	2972
	Code	0182109290			0H82269290			0H82309290		

For the valve on the left side, you have to turn the third-last number from 2 to 4.