

# PHD 2.0 Hygiene Panel with valve

**Features**



- Brackets included
- Blind cap and air vent included
- Preset valve included

All DL Radiators Hygiene PHD 2.0 Panels are fitted as standard with the kit for energy saving low temperature operation with preferential heat diffusion, and preset thermostatic valve.

Hygiene radiators are designed for quick easy cleaning in every corner as there are no internal convectors (spaces where dust normally accumulates), or grille or side radiators which prevent cleaning.

### Technical characteristics

- Working pressure 10 bar
- Test pressure 13 bar
- Maximum operating temperature 110° C

### Standard equipment

- Bottom connector 50mm tappings centre, 3/4" outside thread
- 2 x 1/2" connections, internal thread on opposite side of thermostatic insert with:
  - 1 x 1/2" blind cap provided, premounted
  - 1 x 1/2" vent plug provided, premounted – PHD Radiators are not symmetrical.
- All models have back supports and the valve is positioned on the right as standard
- Brackets and support
  - all models have welded back supports and GB brackets provided (D30 for type 10)
- Supplied with preset thermostatic valve on the right; DL Radiators panels can be supplied with the insert on the left side (see order code modification)
- The thermostatic head must be ordered separately

### Connection

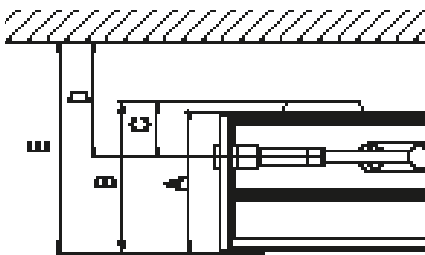
- DL Radiators Hygiene PHD panel can be connected to either a one-pipe or two-pipe installation with a distributor with 50mm tappings centre. The water outlet must always be connected to the inner connection of the connector with 50mm tappings centre.
- For connection to both two-pipe and one-pipe installations, a distributor is required and must be specifically ordered (see Plattella Hygiene radiators Accessories page for the range of distributors available).

### Safety

- Radiators with thermostatic valve cannot be inverted around any of the three axes.

### Optional

Brackets and optional accessories are available on dedicated pages.

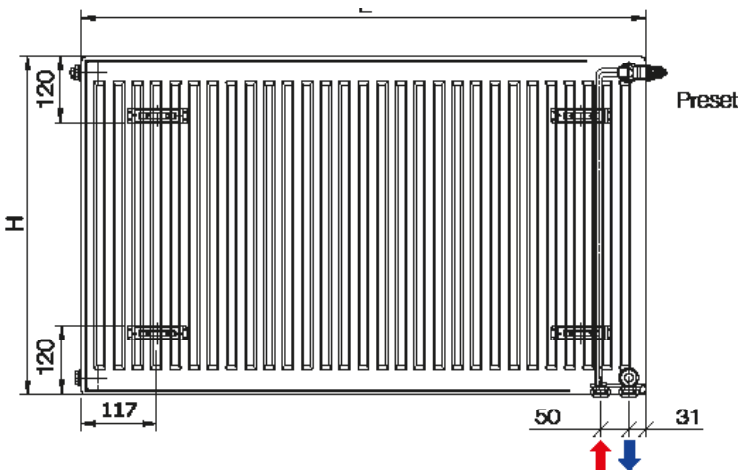


		Dimensions		
		10	20	30
panel depth - excluding back supports	<b>A</b>	63	66	157
total depth - from the back of the support to the front panel**	<b>B</b>	63	75	166
distance from the back support to the connection	<b>C</b>	-	42	59
distance from wall to the centre of the connection (mounting the radiators on the GB brackets provided)*	<b>D</b>	34	59 / 67	76 / 84
total distance from the wall to the front panel (panel mounted on the GP brackets provided as standard)*	<b>E</b>	69	94 / 102	175 / 183

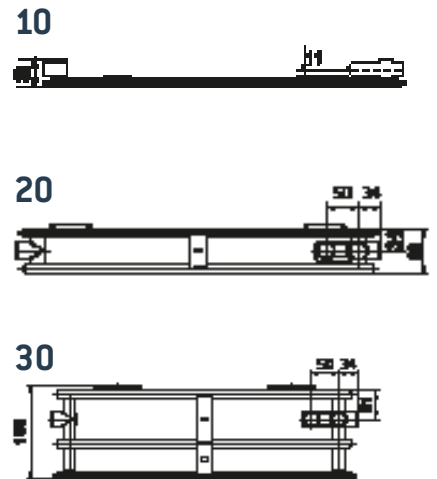
\* The total distance varies according to whether the GB bracket is mounted in position A or position B (choice of depth), model 10 mounted on D30 brackets)

\*\* Calculating the total size of the panel (from the wall to the front panel) with the chosen wall brackets: the useful length of the chosen bracket must be added to this measurement (see brackets page).

### Front view



### Upper view



**Height (H) 300**

		10			20			30		
Width (mm)		63			66			157		
Exponent (n)		1,34			1,276			1,285		
Lenght (mm)		Output 75/65-20 W	Output 70/55-20 W	Output 55/45-20 W	Output 75/65-20 W	Output 70/55-20 W	Output 55/45-20 W	Output 75/65-20 W	Output 70/55-20 W	Output 55/45-20 W
400	Power Code	136	110	69	231	188	120	335	272	174
			0181103312			0H81203312			0H81303312	
500	Power Code	170	137	86	289	234	150	419	340	217
			0181103315			0H81203315			0H81303315	
600	Power Code	204	164	103	346	281	180	502	407	260
			0181103318			0H81203318			0H81303318	
700	Power Code	238	192	120	404	328	210	586	475	304
			0181103321			0H81203321			0H81303321	
800	Power Code	272	219	137	462	375	241	670	543	347
			0181103324			0H81203324			0H81303324	
900	Power Code	306	246	155	519	422	271	753	611	391
			0181103327			0H81203327			0H81303327	
1.000	Power Code	340	274	172	577	469	301	837	679	434
			0181103330			0H81203330			0H81303330	
1.100	Power Code	374	301	189	635	516	331	921	747	477
			0181103333			0H81203333			0H81303333	
1.200	Power Code	408	329	206	692	563	361	1004	815	521
			0181103336			0H81203336			0H81303336	
1.400	Power Code	476	383	240	808	657	421	1172	951	608
			0181103342			0H81203342			0H81303342	
1.600	Power Code	544	438	275	923	750	481	1339	1087	694
			0181103348			0H81203348			0H81303348	
1.800	Power Code	612	493	309	1039	844	541	1507	1222	781
			0181103354			0H81203354			0H81303354	
2.000	Power Code	680	548	343	1154	938	601	1674	1358	868
			0181103360			0H81203360			0H81303360	
2.300	Power Code	782	630	395	1327	1079	692	1925	1562	998
			0181103369			0H81203369			0H81303369	
2.600	Power Code	884	712	447	1500	1219	782	2176	1766	1128
			0181103378			0H81203378			0H81303378	
3.000	Power Code	1020	822	515	1731	1407	902	2511	2037	1302
			0181103390			0H81203390			0H81303390	

For the valve on the left side, you have to turn the third-last number from 3 to 5.

**Height (H) 400**

		10			20			30		
Width (mm)		63			66			157		
Exponent (n)		1,319			1,28			1,296		
Lenght (mm)		Output 75/65-20 W	Output 70/55-20 W	Output 55/45-20 W	Output 75/65-20 W	Output 70/55-20 W	Output 55/45-20 W	Output 75/65-20 W	Output 70/55-20 W	Output 55/45-20 W
400	Power Code	177	142	90	284	230	147	417	338	215
			0181104312			0H81204312			0H81304312	
500	Power Code	221	178	112	355	288	184	522	422	269
			0181104315			0H81204315			0H81304315	
600	Power Code	265	214	135	426	345	221	626	506	323
			0181104318			0H81204318			0H81304318	
700	Power Code	310	249	157	497	403	258	730	591	377
			0181104321			0H81204321			0H81304321	
800	Power Code	354	285	180	568	460	295	834	675	430
			0181104324			0H81204324			0H81304324	
900	Power Code	398	321	202	639	518	332	939	760	484
			0181104327			0H81204327			0H81304327	
1.000	Power Code	442	356	225	710	575	368	1043	844	538
			0181104330			0H81204330			0H81304330	
1.100	Power Code	487	392	247	781	633	405	1147	928	592
			0181104333			0H81204333			0H81304333	
1.200	Power Code	531	427	270	852	690	442	1252	1013	646
			0181104336			0H81204336			0H81304336	
1.400	Power Code	619	499	315	994	805	516	1460	1182	753
			0181104342			0H81204342			0H81304342	
1.600	Power Code	708	570	360	1136	921	589	1669	1350	861
			0181104348			0H81204348			0H81304348	
1.800	Power Code	796	641	405	1278	1036	663	1877	1519	968
			0181104354			0H81204354			0H81304354	
2.000	Power Code	885	712	450	1420	1151	737	2086	1688	1076
			0181104360			0H81204360			0H81304360	
2.300	Power Code	1017	819	517	1633	1323	847	2399	1941	1237
			0181104369			0H81204369			0H81304369	
2.600	Power Code	1150	926	585	1846	1496	958	2712	2195	1399
			0181104378			0H81204378			0H81304378	
3.000	Power Code	1327	1068	675	2130	1726	1105	3129	2532	1614
			0181104390			0H81204390			0H81304390	

For the valve on the left side, you have to turn the third-last number from 3 to 5.

## Height (H) 500

		10			20			30		
Width (mm)		63			66			157		
Exponent (n)		1,299			1,284			1,307		
Lenght (mm)		Output	Output	Output	Output	Output	Output	Output	Output	
		75/55-20	70/55-20	55/45-20	75/65-20	70/55-20	55/45-20	75/65-20	70/55-20	55/45-20
		W	W	W	W	W	W	W	W	
400	Power	216	175	111	337	273	175	496	401	255
	Code		0181105312			0H81205312			0H81305312	
500	Power	270	219	139	422	342	218	621	501	319
	Code		0181105315			0H81205315			0H81305315	
600	Power	324	262	167	506	410	262	745	602	382
	Code		0181105318			0H81205318			0H81305318	
700	Power	379	306	195	590	478	306	869	702	446
	Code		0181105321			0H81205321			0H81305321	
800	Power	433	350	222	674	547	350	993	802	510
	Code		0181105324			0H81205324			0H81305324	
900	Power	487	394	250	759	615	393	1117	902	573
	Code		0181105327			0H81205327			0H81305327	
1.000	Power	541	437	278	843	683	437	1241	1003	637
	Code		0181105330			0H81205330			0H81305330	
1.100	Power	595	481	306	927	752	481	1365	1103	701
	Code		0181105333			0H81205333			0H81305333	
1.200	Power	649	525	334	1012	820	524	1489	1203	764
	Code		0181105336			0H81205336			0H81305336	
1.400	Power	757	612	389	1180	957	612	1737	1404	892
	Code		0181105342			0H81205342			0H81305342	
1.600	Power	865	700	445	1349	1093	699	1986	1604	1019
	Code		0181105348			0H81205348			0H81305348	
1.800	Power	973	787	501	1517	1230	786	2234	1805	1147
	Code		0181105354			0H81205354			0H81305354	
2.000	Power	1082	874	556	1686	1367	874	2482	2005	1274
	Code		0181105360			0H81205360			0H81305360	
2.300	Power	1244	1006	640	1939	1572	1005	2854	2306	1465
	Code		0181105369			0H81205369			0H81305369	
2.600	Power	1406	1137	723	2192	1777	1136	3227	2607	1656
	Code		0181105378			0H81205378			0H81305378	
3.000	Power	1622	1312	834	2529	2050	1311	3723	3008	1911
	Code		0181105390			0H81205390			0H81305390	

For the valve on the left side, you have to turn the third-last number from 3 to 5.

## Height (H) 600

		10			20			30		
Width (mm)		63			66			157		
Exponent (n)		1,279			1,288			1,318		
Lenght (mm)		Output	Output	Output	Output	Output	Output	Output	Output	
		75/55-20	70/55-20	55/45-20	75/65-20	70/55-20	55/45-20	75/65-20	70/55-20	55/45-20
		W	W	W	W	W	W	W	W	
400	Power	254	206	132	392	317	203	574	463	293
	Code		0181106312			0H81206312			0H81306312	
500	Power	318	258	165	490	397	254	718	579	366
	Code		0181106315			0H81206315			0H81306315	
600	Power	381	310	198	587	476	304	862	695	439
	Code		0181106318			0H81206318			0H81306318	
700	Power	445	361	231	685	555	355	1005	810	513
	Code		0181106321			0H81206321			0H81306321	
800	Power	509	413	265	783	634	406	1149	926	586
	Code		0181106324			0H81206324			0H81306324	
900	Power	572	465	298	881	714	456	1292	1042	659
	Code		0181106327			0H81206327			0H81306327	
1.000	Power	636	516	331	979	793	507	1436	1158	732
	Code		0181106330			0H81206330			0H81306330	
1.100	Power	699	568	364	1077	872	558	1580	1273	806
	Code		0181106333			0H81206333			0H81306333	
1.200	Power	763	619	397	1175	952	608	1723	1389	879
	Code		0181106336			0H81206336			0H81306336	
1.400	Power	890	723	463	1371	1110	710	2010	1621	1025
	Code		0181106342			0H81206342			0H81306342	
1.600	Power	1017	826	529	1566	1269	811	2298	1852	1172
	Code		0181106348			0H81206348			0H81306348	
1.800	Power	1144	929	595	1762	1428	913	2585	2084	1318
	Code		0181106354			0H81206354			0H81306354	
2.000	Power	1272	1032	661	1958	1586	1014	2872	2315	1465
	Code		0181106360			0H81206360			0H81306360	
2.300	Power	1462	1187	760	2252	1824	1166	3303	2663	1684
	Code		0181106369			0H81206369			0H81306369	
2.600	Power	1653	1342	860	2545	2062	1318	3734	3010	1904
	Code		0181106378			0H81206378			0H81306378	
3.000	Power	1907	1549	992	2937	2379	1521	4308	3473	2197
	Code		0181106390			0H81206390			0H81306390	

For the valve on the left side, you have to turn the third-last number from 3 to 5.

**Height (H) 700**

		10			20			30		
Width (mm)		63			66			157		
Exponent (n)		1,285			1,29			1,318		
Lenght (mm)		Output 75/65-20 W	Output 70/55-20 W	Output 55/45-20 W	Output 75/65-20 W	Output 70/55-20 W	Output 55/45-20 W	Output 75/65-20 W	Output 70/55-20 W	Output 55/45-20 W
400	Power	291	237	151	448	363	232	652	527	332
	Code	0181107312			0H81207312			0H81307312		
500	Power	364	296	189	560	454	290	815	659	416
	Code	0181107315			0H81207315			0H81307315		
600	Power	437	355	227	671	545	347	977	790	499
	Code	0181107318			0H81207318			0H81307318		
700	Power	509	414	265	783	636	405	1140	922	582
	Code	0181107321			0H81207321			0H81307321		
800	Power	582	473	302	895	726	463	1303	1054	665
	Code	0181107324			0H81207324			0H81307324		
900	Power	655	532	340	1007	817	521	1466	1186	748
	Code	0181107327			0H81207327			0H81307327		
1.000	Power	728	591	378	1119	908	579	1629	1317	831
	Code	0181107330			0H81207330			0H81307330		
1.100	Power	800	650	416	1231	999	637	1792	1449	914
	Code	0181107333			0H81207333			0H81307333		
1.200	Power	873	710	454	1343	1090	695	1955	1581	997
	Code	0181107336			0H81207336			0H81307336		
1.400	Power	1019	828	529	1567	1271	811	2281	1844	1163
	Code	0181107342			0H81207342			0H81307342		
1.600	Power	1164	946	605	1790	1453	926	2606	2108	1330
	Code	0181107348			0H81207348			0H81307348		
1.800	Power	1310	1064	680	2014	1634	1042	2932	2371	1496
	Code	0181107354			0H81207354			0H81307354		
2.000	Power	1455	1183	756	2238	1816	1158	3258	2634	1662
	Code	0181107360			0H81207360			0H81307360		
2.300	Power	1674	1360	869	2574	2088	1332	3747	3030	1911
	Code	0181107369			0H81207369			0H81307369		
2.600	Power	1892	1537	983	2909	2361	1505	4235	3425	2161
	Code	0181107378			0H81207378			0H81307378		
3.000	Power	2183	1774	1134	3357	2724	1737	4887	3952	2493
	Code	0181107390			0H81207390			0H81307390		

For the valve on the left side, you have to turn the third-last number from 3 to 5.

**Height (H) 900**

		10			20			30		
Width (mm)		63			66			157		
Exponent (n)		1,296			1,293			1,316		
Lenght (mm)		Output 75/65-20 W	Output 70/55-20 W	Output 55/45-20 W	Output 75/65-20 W	Output 70/55-20 W	Output 55/45-20 W	Output 75/65-20 W	Output 70/55-20 W	Output 55/45-20 W
400	Power	361	293	186	567	459	293	806	651	411
	Code	0181109312			0H81209312			0H81309312		
500	Power	451	366	233	708	574	366	1007	813	514
	Code	0181109315			0H81209315			0H81309315		
600	Power	541	439	280	850	689	439	1208	976	617
	Code	0181109318			0H81209318			0H81309318		
700	Power	632	512	326	992	804	512	1410	1139	720
	Code	0181109321			0H81209321			0H81309321		
800	Power	722	586	373	1133	919	586	1611	1301	823
	Code	0181109324			0H81209324			0H81309324		
900	Power	812	659	420	1275	1034	659	1812	1464	926
	Code	0181109327			0H81209327			0H81309327		
1.000	Power	902,4	732	466	1417	1149	732	2014	1627	1029
	Code	0181109330			0H81209330			0H81309330		
1.100	Power	993	805	513	1558	1263	805	2215	1789	1131
	Code	0181109333			0H81209333			0H81309333		
1.200	Power	1083	879	559	1700	1378	878	2417	1952	1234
	Code	0181109336			0H81209336			0H81309336		
1.400	Power	1263	1025	653	1983	1608	1025	2819	2277	1440
	Code	0181109342			0H81209342			0H81309342		
1.600	Power	1444	1171	746	2267	1838	1171	3222	2603	1646
	Code	0181109348			0H81209348			0H81309348		
1.800	Power	1624	1318	839	2550	2067	1318	3625	2928	1851
	Code	0181109354			0H81209354			0H81309354		
2.000	Power	1805	1464	932	2833	2297	1464	4028	3253	2057
	Code	0181109360			0H81209360			0H81309360		
2.300	Power	2076	1684	1072	3258	2642	1684	4632	3741	2366
	Code	0181109369			0H81209369			0H81309369		
2.600	Power	2346	1904	1212	3683	2986	1903	5236	4229	2674
	Code	0181109378			0H81209378			0H81309378		
3.000	Power	2707	2196	1399	4250	3446	2196	6041	4880	3086
	Code	0181109390			0H81209390			0H81309390		

For the valve on the left side, you have to turn the third-last number from 3 to 5.